

REMOTE PRO KP



12-000 SERIES

WIEGAND-OUTPUT KEYPADS

FEATURES

- 26-bit Wiegand output
- Audible-tone and LED feedback*
- Backlit keypad (post-mount models only)

WORKS WITH

- **Ascent** (select models)
- **Edge**
- Other 26-bit Wiegand master controllers



* LED feedback not available on single-gang model

SIMPLE IS OUR NAME

These keypads couldn't be any more simple to install, program, and use.

VERSATILITY IS OUR GAME

We offer three versions to suit your needs: a post-mount keypad, a post-mount keypad with intercom, and a single-gang keypad.

STURDY AND DURABLE

All our products are made from high-quality materials that will last for years to come.

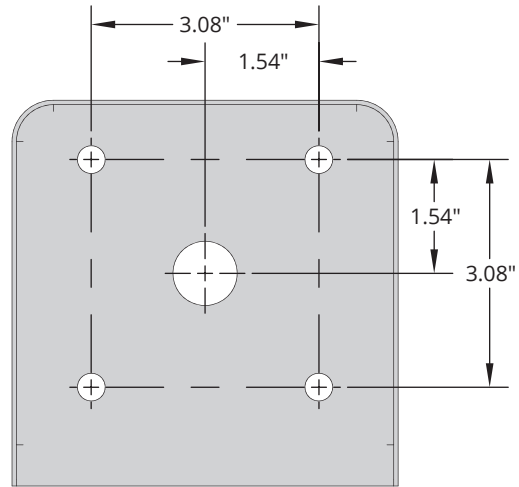
PLAYS WELL WITH OTHERS

Connect to any master controller that uses the 26-bit Wiegand protocol with six wires and you're in business. Easy as that!

SPECIFICATIONS

PHYSICAL	
12-000	
Dimensions	5.22"(H) x 5.22"(W) x 5.10"(D)
Shipping Weight	5 lbs.
12-000I	
Dimensions	5.75"(H) x 7.45"(W) x 5.25"(D)
Shipping Weight	7 lbs.
12-000SG	
Dimensions	4.50"(H) x 2.75"(W) x 0.75"(D)
Shipping Weight	4 lbs.
ELECTRICAL	
Input	9-12 VDC supplied by master controller
ENVIRONMENTAL	
Operating Temperature	-15 to 175 °F

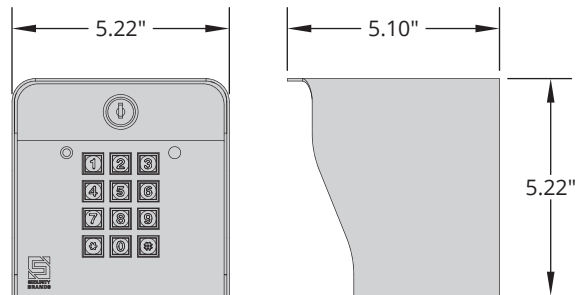
MOUNTING (12-000)



HOLE SIZES

Wiring pass through	0.88"
Mounting holes (x4)	0.38"

Unit includes mounting hardware.



12-000 shown

AVAILABLE MODELS



12-000
Post Mount



12-000I
Post Mount w/ Intercom



12-000SG
Single Gang

For more information, visit us online:
securitybrandsinc.com

 **SECURITY BRANDS INC**[™]
your *partner* in access control

☎ (972) 474-6390

✉ sales@securitybrandsinc.com

📍 2151 East Glen Blvd
Mesquite, TX 75181