

PREPARATION

1. Set the position switch on the heater to “O” (OFF).
2. Apply power (120 Vac) to the heater.
3. Set the switch to the “II” (TEST).
NOTE: DO NOT leave the heater in the test mode.
4. Verify that the led is on and that the fan is blowing hot air.
5. Set the switch to “I” (THERMOSTAT).
6. Verify the heater is working properly by checking if your ambient temperature is at 75°F (24°C) or warmer, the fan should be off. If your ambient temperature is at 55°F (13°C) or cooler, the fan should be on.

NOTE: The thermostat is non-adjustable and set to the fixed temperatures listed above.

7. Disconnect power to the heater.

INSTALLATION

1. Mount the heater to the bracket using the (4) screws and (4) flange nuts provided.
2. Mount the heater bracket to the operator using the (2) screws and (2) flange nuts provided.
NOTE: Holes may need to be drilled.
3. Apply power (120 Vac) to the heater. Confirm that switch is set to “I” (THERMOSTAT), see Figure 1.
4. For maximum heat distribution, mount heater as shown in Figure 2.

WARNING

To reduce the risk of SEVERE INJURY or DEATH:

- ANY maintenance to the operator or in the area near the operator MUST not be performed until disconnecting the electrical power and locking-out the power via the operator power switch. Upon completion of maintenance the area MUST be cleared and secured. At that time the unit may be returned to service.
- ALL electrical connections MUST be made by a qualified individual.

FIGURE 1

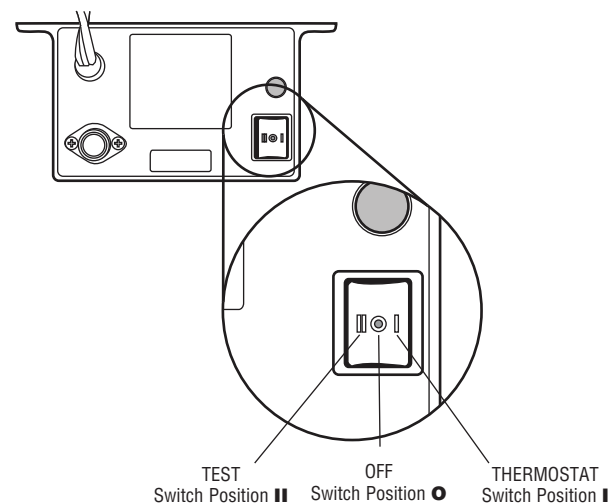
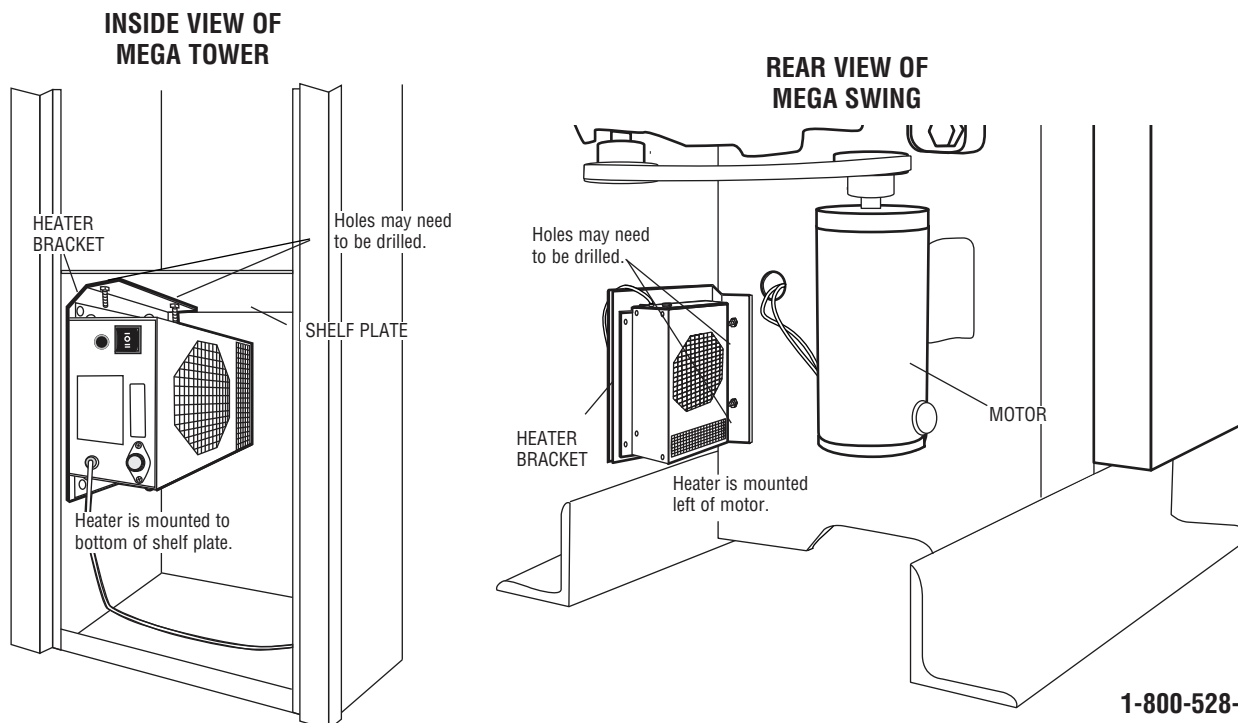


FIGURE 2



1-800-528-2806
www.liftmaster.com